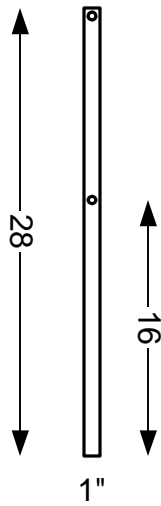
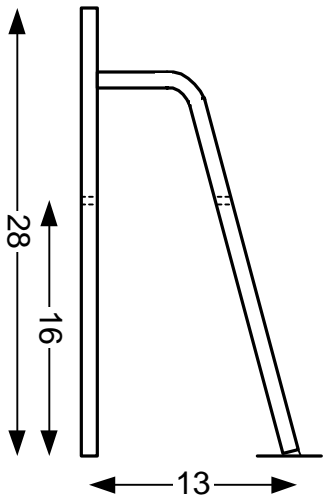


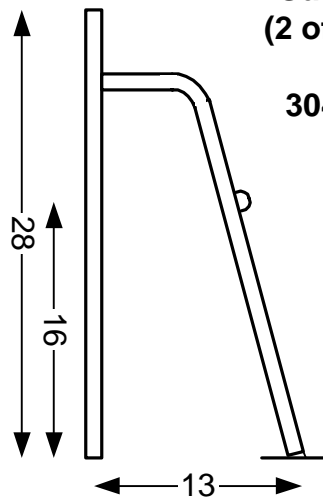
Rev 3



Stanchions -- 4 Each:
"B" Top
Welded intermediate
304 Stainless



Gates - 4 Each
(2 of each type):
"B" Top
304 Stainless



Hole: 5/16

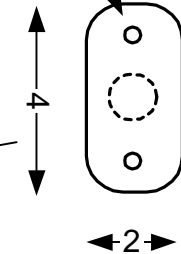
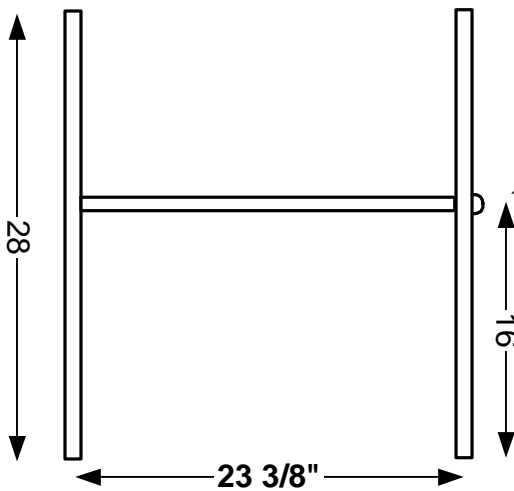


Plate
Detail

H Rails - 1 of Each:
"B" Top
304 Stainless
Note: Width noted
is critical.



1/4" Bail
for Gate
Hooks
(One
side
only)

